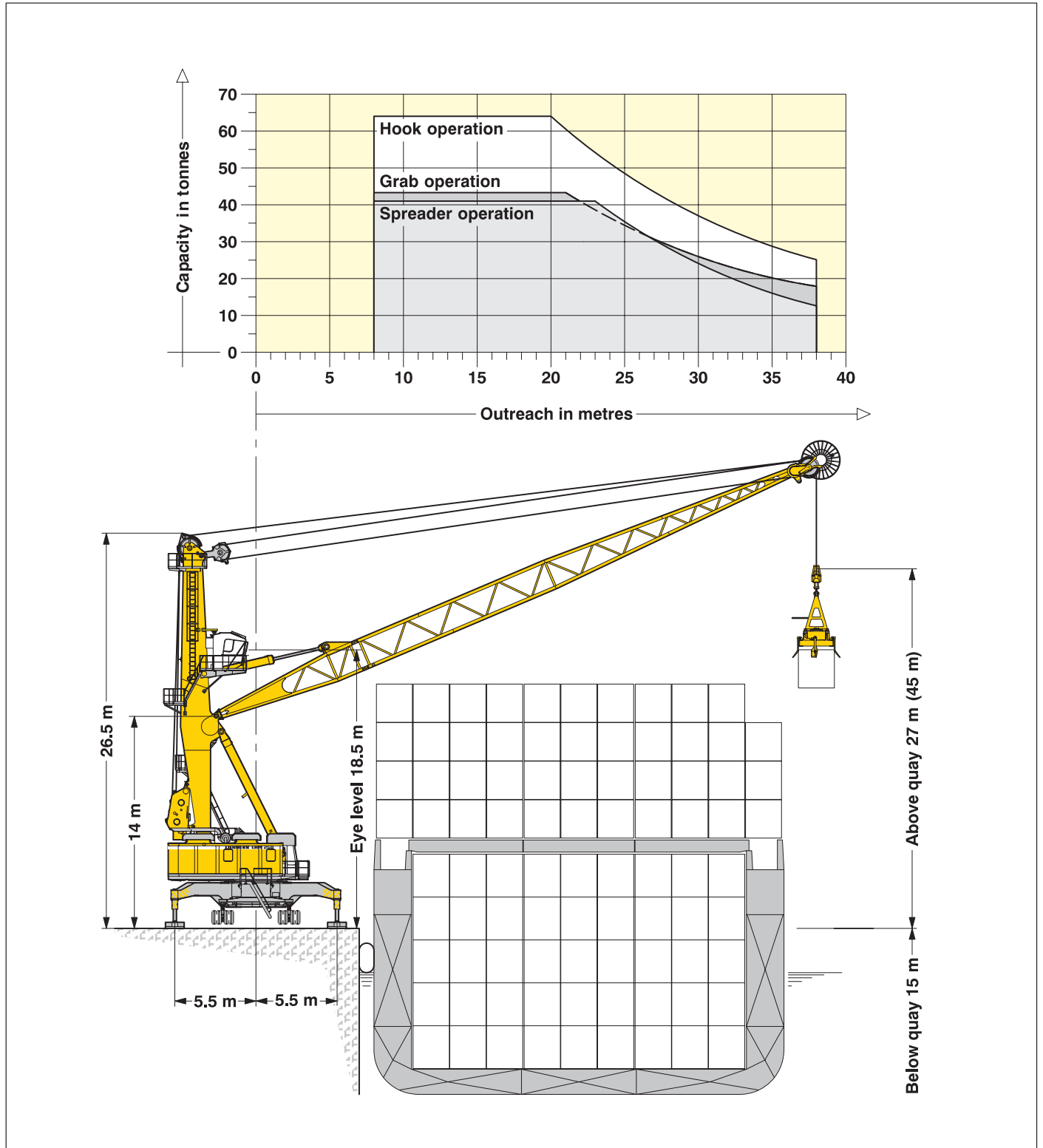


The synergy of wide experience, research and development for your success and benefit.



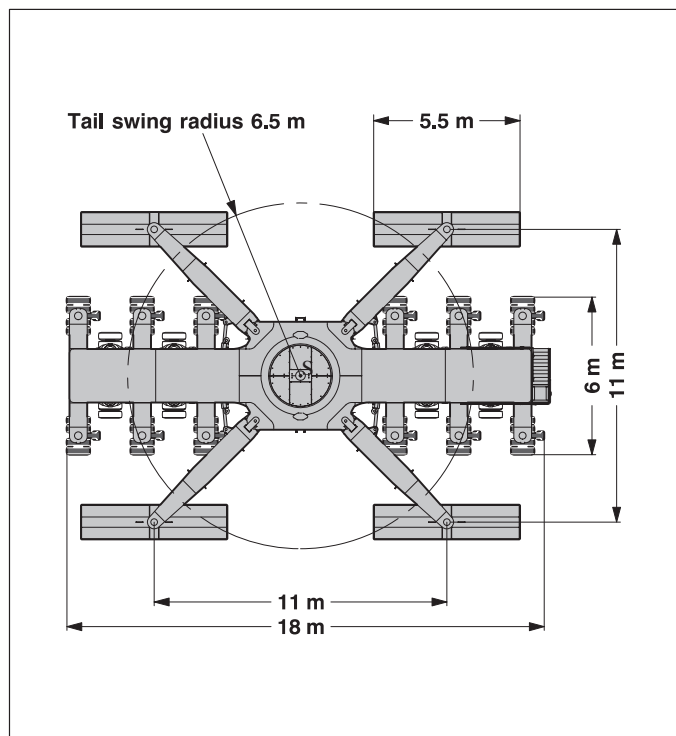
8900 927 14 -08/2003 Subject to change without notice.

# Liebherr harbour mobile crane

## Type LHM 250 Litronic®

- utmost performance
- high reliability and quality
- low operational costs
- unsurpassed mobility and versatility
- worldwide service network

Radius	Hook operation	Spreader operation	Grab operation
(m)	(t)	(t)	(t)
8	64.0	41.0	43.3
20	64.0	41.0	43.3
21	62.2	41.0	43.3
22	58.6	41.0	41.7
23	55.0	41.0	39.1
24	51.4	39.7	36.5
25	48.5	36.8	34.5
26	45.6	33.9	32.4
27	43.2	31.5	30.7
28	40.7	29.0	29.0
29	38.7	27.0	27.5
30	36.6	24.9	26.0
31	34.9	23.2	24.8
32	33.1	21.4	23.5
33	31.6	19.9	22.5
34	30.1	18.4	21.4
35	28.8	17.1	20.5
36	27.4	15.7	19.5
37	26.3	14.6	18.7
38	25.1	13.4	17.9



### Capacities

Standard operation \_\_\_\_\_ 64 t

### Main dimensions

Min to max. outreach \_\_\_\_\_ 8 – 38 m  
 Height of boom fulcrum \_\_\_\_\_ 14.0 m  
 Tower cabin height (eye level) \_\_\_\_\_ 18.5 m

### Hoisting heights

Above quay at minimum radius \_\_\_\_\_ 45 m  
 Above quay at maximum radius \_\_\_\_\_ 27 m  
 Below quay \_\_\_\_\_ 15 m

### Working speeds

Hoisting / lowering \_\_\_\_\_ 0 – 90 m/min  
 Slewing \_\_\_\_\_ 0 – 1.4 rpm  
 Luffing \_\_\_\_\_ 0 – 45 m/min  
 Travelling \_\_\_\_\_ 0 – 90 m/min

### Quay load arrangements

Uniformly Distributed Load \_\_\_\_\_ 1.4 t/m<sup>2</sup>  
 Max. load per tyre \_\_\_\_\_ 5.3 t

Due to its unique travelling and supporting system, the parameters of the undercarriage (pad sizes, supporting base and number of axle sets) can easily be adapted to comply with the most stringent quay load restrictions.

### Weights

Weight of the crane \_\_\_\_\_ 210 t  
 Counterweight \_\_\_\_\_ 25 t  
 Total weight of the crane \_\_\_\_\_ approx. 235 t

### Propping arrangements

Standard supporting base \_\_\_\_\_ 11 m x 11 m  
 Standard pad dimension \_\_\_\_\_ 4x 5.5 m x 1.3 m